



# Smart Outdoor Camera with Solar Panel Kit

- Quick Start Guide (EN)
- Verkorte handleiding (NL)
- Kurzanleitung (DE)
- Guía de inicio rápido (ES)
- Guide de démarrage rapide (FR)
- Guida rapida (IT)
- Guia de iniciação rápida (PT)
- Hurtigstartsguide (DK)
- Snabbstartsguide (SE)
- Pikaopas (FI)
- Krótki przewodnik (PL)
- Rychlá příručka (CZ)
- Príručka pre rýchly štart (SK)
- Gyors útmutató (HU)
- Ghid rapid (RO)
- Српски (RS)
- Hitri vodnik (SI)
- Īss ceļvedis (LV)
- Trumpas vadovas (LT)
- Kiirjuhend (EE)
- zi vodič (HR)

## R4252





Take As Global, SL hereby confirms that the R4252 Smart Outdoor Camera with Solar Panel Kit complies with Directive 2014/53 / EU. The full text of the EU Declaration of Conformity is below internet address available: [www.wooxhome.com](http://www.wooxhome.com)



Compliance with the WEEE Directive and waste disposal. This product has been manufactured from parts and materials of high quality that can be reused and can be recycled. Therefore, do not throw this product away with waste normal household appliances at the end of their useful life. Take him away at a collection point for recycling equipment electric and electronic. This is indicated by this symbol on the product, in the user manual and on the packaging. Please consult the local authorities to find out where the point of nearest collection. Help protect the environment by recycling used products.



The packaging materials of the product are made in accordance with our national environmental regulations made from recyclable materials made. Packing materials not together with dispose of with household waste or other waste. Bring them to the collection points prescribed by the local authorities for packing material.

## Tech support

If you need futher help or have comments or suggestions please visit: [www.wooxhome.com](http://www.wooxhome.com) or FAQ & Feeback page in the App.

### Tech support contact:

European: [support@wooxhome.eu](mailto:support@wooxhome.eu), +31-(0)76-7114805

Non-EU: [support@wooxhome.com](mailto:support@wooxhome.com)

### How to use FAQ & Feedback in the App:

Step 1: Navigate to "Me" > "FAQ & Feedback".

Step 2: If "Most Asked" and FAQ not help, you could submit your question via "Feedback/Suggestions", we will reply you in 24 hours.



#### WOOX Home Youtube Channel

You could also find WOOX product videos in Youtube by searching "woox home" or "WOOX + model number".



#### Facebook group support

We also create a facebook group for technical support. Searching "WOOX HOME users" to join the group and leave your question.



#### WOOX Home app QR code



## Frequently Asked Questions

### 1. Can I share with family and friends?

Yes, you can share your cameras with family and friends who will have access to view the camera and control your bulbs, plugs, and other devices. In the app, click the Family name at the top and click on the "Home Management" button, and you will be able to give or revoke sharing permissions. In order to share, the other user should already have downloaded the app and registered a new account.

### 2. What's the Wireless Range?

The range of your home Wi-Fi is heavily dependent on your home router and the conditions of the room. Check with your router specifications for exact range data.

### 3. How many cameras can I control?

WOOX Home app can control an unlimited amount of devices in an unlimited amount of locations. Your router may have a limit of how many devices can be connected to one router.

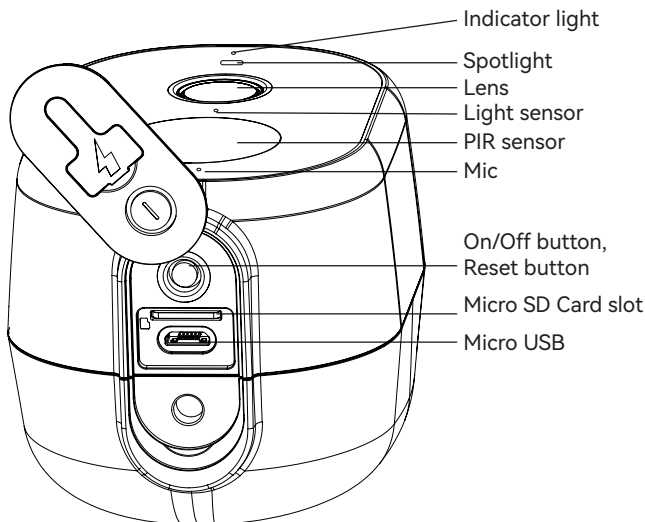
### 4. My device can't be connected to network with App

- Make sure the device is under the config status (indicator light is flashing quickly).
- Make sure the Wi-Fi is available and the device is not far away from the router.
- Make sure the Wi-Fi password you input is correct.

### 5. My device shows offline in my App

- Make sure the device is powered on.
- Make sure the network is stable and the Wi-Fi name and password not modified. If not, add device again.
- If the network is normal, but its still offline. Check if there are too many Wi-Fi connections. You can restart your router to check the status of the device.

Product Appearance



**Turn on/off device:**

Hold and press the On/Off button above 5 seconds, but less than 10 seconds.

**Reset device:**

Hold and press the On/Off button above 10 seconds.

**LED status for battery charging:**

Charging in red; Full in Green.

## Package includes

1. Smart outdoor camera x 1
2. Solar panel x 1
3. USB cable x 1
4. User manual x 1
5. Screw bag x 2
6. Bracket x 2
7. Security sticker x 2

## Technical Data

Batteries: 2x18650 2600mAh Rechargeable batteries(included)

Battery lifetime: approximate 4 months (without solar panel)

Resolution: 2304x1296P

IR distance: up to 10 meters

Angle of View: 128°

Audio input: Built in Mic

Audio output: Built in speaker

Two-way talk: support

Motion detection: support

Micro SD card: Max. 128G (not included)

Network:IEEE 802.11 b/g/n 2.4GHz Wi-Fi

Waterproof: IP65

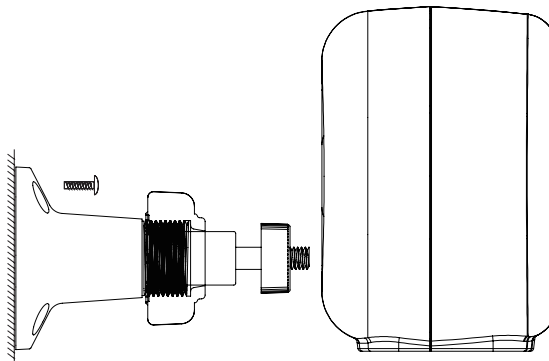
Working temperature: -10 C - 50 C

Working humidity: 20%-85%RH, no condensation

Camera dimension: 64x62x90mm

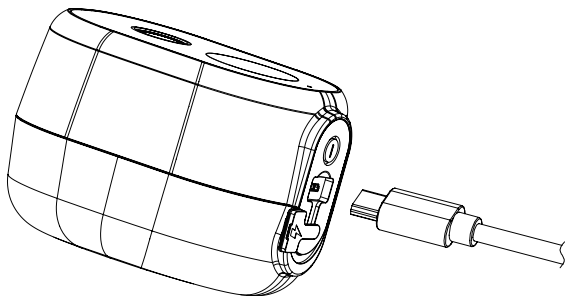
Solar panel power: DC 5V 3W

## Installation



Fix bracket to the wall and install the camera.

## English



Connect solar panel to camera, and install solar panel where sunshine illuminated and face it to South 45°.

### Introduction

WOOX Smart Outdoor Camera is a Full HD 2K 3MP security camera with features including two-way audio, motion detection, siren, color night vision, local and cloud storage, IP65 waterproof, works with Echo Show and Google Nest Hub, and more.

### Requirement to use

1. WOOX Home app
2. WLAN-enabled router: 2.4GHz (Separate band)

### Set up Smart Outdoor Camera to WOOX Home app

1. Download and install the app "WOOX Home" from Apple App Store or Google Play Store on your smartphone.
2. Launch the app "WOOX Home".
3. Create a new account or log in to your existing account.
4. Tap "+" to add the device.
5. Select the applicable product type "Smart Camera" from the list of products.
6. Ensure the indicator light is quick flashing in blue and red. If the indicator light isn't flashing: hold and press the reset button on the bottom of camera above 10 seconds until the indicator light starts to flash in blue and red.
7. Confirm the Wi-Fi network and password.

**Note: only 2.4GHz WiFi is supported.**

8. The App will prompt you to scan a QR code that needs to be read by the camera in the smart camera to initiate pairing, press continue on the App and a QR code should now be generated to pair the product to your account. Position your mobile or tablet device in front of the camera lens and ensure the QR code is in full frame of view, once you hear the sound prompt confirm this on the App, this will commence the final stage of pairing the smart camera to your account.
9. The app will now search for the device and register it to your account.
10. Enter the device name.

Note: The device name will also be used by Amazon Alexa and Google Home.

### Introductie

WOOX Smart Outdoor Camera is een Full HD 2K 3MP beveiligingscamera met functies zoals tweerichtingsaudio, bewegingsdetectie, sirene, nachtzicht in kleur, lokale en cloudopslag, IP65 waterdicht, werkt met Echo Show en Google Nest Hub, en meer.

### Vereiste om te gebruiken:

1. WOOX Home app
2. WLAN-compatibele router: 2,4 GHz (apart kanaal)

### Stel Smart Outdoor Camera in op de WOOX Home-app

1. Download en installeer de app "WOOX Home" uit de Apple App Store of Google Play Store op je smartphone.
2. Start de app "WOOX Home"
3. Maak een nieuw account aan of log in op uw bestaande account.
4. Tik op "+" om het apparaat toe te voegen.
5. Selecteer het toepasselijke producttype "Smart Camera" uit de lijst met producten.
6. Zorg ervoor dat het indicatielampje snel blauw en rood knippert. Als het indicatielampje niet knippert: houd de resetknop aan de onderkant van de camera langer dan 10 seconden ingedrukt totdat het indicatielampje blauw en rood begint te knipperen.
7. Bevestig het wifi-netwerk en wachtwoord.

Let op: alleen 2,4 GHz wifi wordt ondersteund.

8. De app zal u vragen een QR-code te scannen die door de camera in de slimme camera moet worden gelezen om het koppelen te starten, druk op doorgaan op de app en er moet nu een QR-code worden gegenereerd om het product aan uw account te koppelen. Plaats uw mobiel of tablet voor de cameralens en zorg ervoor dat de QR-code volledig in beeld is. Zodra u de geluidsprompt hoort, bevestigt u dit in de app, dit zal beginnen met de laatste fase van het koppelen van de slimme camera aan uw account .

9. De app zoekt nu naar het apparaat en registreert zich voor uw account.

10. Voer de apparaatnaam in.

Opmerking: de apparaatnaam wordt ook gebruikt door Amazon Alexa en Google Home.



### Einführung

WOOX Smart Outdoor Camera ist eine Full HD 2K 3MP Überwachungskamera mit Funktionen wie Zwei-Wege-Audio, Bewegungserkennung, Sirene, Farb-Nachtsicht, lokalem und Cloud-Speicher, IP65 wasserdicht, funktioniert mit Echo Show und Google Nest Hub und mehr.

### Nutzungsvoraussetzung:

1. WOOX Home app
2. WLAN-kompatibler Router: 2,4 GHz (separates Band)

### Richten Sie die intelligente Außenkamera in der WOOX Home-App ein

1. Laden Sie die App „WOOX Home“ aus dem Apple App Store oder Google Play Store herunter und installieren Sie sie auf Ihrem Smartphone.
2. Starten Sie die „WOOX Home“-App.
3. Erstellen Sie ein neues Konto oder melden Sie sich bei Ihrem bestehenden Konto an.
4. Tippen Sie auf „+“, um das Gerät hinzuzufügen.
5. Wählen Sie aus der Produktliste den passenden Produkttyp „Smart Camera“ aus.
6. Stellen Sie sicher, dass die Anzeigeleuchte schnell blau und rot blinkt. Wenn die Kontrollleuchte nicht blinkt: Halten Sie die Reset-Taste an der Unterseite der Kamera länger als 10 Sekunden gedrückt, bis die Kontrollleuchte blau und rot zu blinken beginnt.
7. Bestätigen Sie das WLAN-Netzwerk und das Passwort.  
Hinweis: Nur 2,4-GHz-WLAN wird unterstützt.
8. Die App fordert Sie auf, einen QR-Code zu scannen, der von der Kamera in der Smart-Kamera gelesen werden soll, um die Kopplung zu starten. Drücken Sie in der App auf Weiter und ein QR-Code sollte jetzt generiert werden, um den Produktlink mit Ihrem Konto zu verbinden. Halten Sie Ihr Handy oder Tablet vor die Kameralinse und stellen Sie sicher, dass der QR-Code vollständig sichtbar ist. Sobald Sie die Tonaufforderung hören, bestätigen Sie sie in der App, dies beginnt mit der letzten Phase der Verknüpfung der Smart Camera mit Ihrem Konto.
9. Die App sucht nun nach dem Gerät und registriert sich für Ihr Konto.
10. Geben Sie den Gerätenamen ein.

Hinweis: Der Gerätename wird auch von Amazon Alexa und Google Home verwendet.

### **Introducción**

WOOX Smart Outdoor Camera es una cámara de seguridad Full HD 2K 3MP con funciones como audio bidireccional, detección de movimiento, sirena, visión nocturna en color, almacenamiento local y en la nube, IP65 a prueba de agua, funciona con Echo Show y Google Nest Hub, y más.

### **Requisito de uso:**

1. Aplicación WOOX Home
2. Enrutador compatible con WLAN: 2,4 GHz (banda separada)

### **Configure la cámara exterior inteligente en la aplicación WOOX Home**

1. Descargue e instale la aplicación "WOOX Home" de Apple App Store o Google Play Store en su teléfono inteligente.
  2. Inicie la aplicación "WOOX Home".
  3. Cree una nueva cuenta o inicie sesión en su cuenta existente.
  4. Toque "+" para agregar el dispositivo.
  5. Seleccione el tipo de producto apropiado "Cámara inteligente" de la lista de productos.
  6. Asegúrese de que la luz indicadora parpadee rápidamente en azul y rojo. Si la luz indicadora no parpadea: mantenga presionado el botón de reinicio en la parte inferior de la cámara durante más de 10 segundos hasta que la luz indicadora comience a parpadear en azul y rojo.
  7. Confirme la red WiFi y la contraseña.
- Nota: solo se admite Wi-Fi de 2,4 GHz.
8. La aplicación le pedirá que escanee un código QR para que lo lea la cámara en la cámara inteligente para comenzar a emparejar, presione continuar en la aplicación y ahora se debe generar un código QR para conectar el enlace del producto a su cuenta. Coloca tu móvil o tablet frente al objetivo de la cámara y asegúrate de que el código QR esté completamente a la vista. Una vez que escuche el mensaje de sonido, confírmelo en la aplicación, esto comenzará la etapa final de vincular la cámara inteligente a su cuenta.
  9. La aplicación ahora buscará el dispositivo y registrará su cuenta.
  10. Introduzca el nombre del dispositivo.

Nota: Amazon Alexa y Google Home también utilizan el nombre del dispositivo.

## **Introduction**

La caméra extérieure intelligente WOOX est une caméra de sécurité Full HD 2K 3MP avec des fonctionnalités telles que l'audio bidirectionnel, la détection de mouvement, la sirène, la vision nocturne couleur, le stockage local et cloud, l'étanchéité IP65, fonctionne avec Echo Show et Google Nest Hub, et plus encore.

## **Condition d'utilisation :**

1. Application WOOX Home
2. Routeur compatible WLAN : 2,4 GHz (bande séparée)

## **Configurer la caméra extérieure intelligente sur l'application WOOX Home**

1. Téléchargez et installez l'application "WOOX Home" depuis l'Apple App Store ou Google Play Store sur votre smartphone.
  2. Lancez l'application "WOOX Home".
  3. Créez un nouveau compte ou connectez-vous à votre compte existant.
  4. Appuyez sur "+" pour ajouter l'appareil.
  5. Sélectionnez le type de produit approprié "Smart Camera" dans la liste des produits.
  6. Assurez-vous que le voyant clignote rapidement en bleu et rouge. Si le voyant ne clignote pas : Appuyez sur le bouton de réinitialisation au bas de l'appareil photo et maintenez-le enfoncé pendant plus de 10 secondes jusqu'à ce que le voyant commence à clignoter en bleu et rouge.
  7. Confirmez le réseau WiFi et le mot de passe.
- Remarque : seul le Wi-Fi 2,4 GHz est pris en charge.
8. L'application vous demandera de scanner un code QR à lire par la caméra dans la caméra intelligente pour commencer l'appairage, appuyez sur continuer sur l'application et un code QR devrait maintenant être généré pour connecter le lien du produit à votre compte. Placez votre téléphone portable ou votre tablette devant l'objectif de la caméra et assurez-vous que le code QR est entièrement visible. Une fois que vous entendez l'invite sonore, confirmez-la dans l'application, cela commencera la dernière étape de liaison de la caméra intelligente à votre compte.
  9. L'application va maintenant rechercher l'appareil et enregistrer votre compte.
  10. Entrez le nom de l'appareil.

Remarque : Le nom de l'appareil est également utilisé par Amazon Alexa et Google Home.

### introduzione

WOOX Smart Outdoor Camera è una videocamera di sicurezza Full HD 2K 3MP con funzionalità come audio bidirezionale, rilevamento del movimento, sirena, visione notturna a colori, archiviazione locale e cloud, impermeabile IP65, funziona con Echo Show e Google Nest Hub e altro ancora.

### Requisiti per l'uso:

1. App WOOX Home
2. Router compatibile con WLAN: 2,4 GHz (banda separata)

### Configura Smart Outdoor Camera sull'app WOOX Home

1. Scarica e installa l'app "WOOX Home" dall'Apple App Store o dal Google Play Store sul tuo smartphone.
2. Avvia l'app "WOOX Home".
3. Crea un nuovo account o accedi al tuo account esistente.
4. Toccare "+" per aggiungere il dispositivo.
5. Selezionare il tipo di prodotto appropriato "Smart Camera" dall'elenco dei prodotti.
6. Assicurarsi che la spia dell'indicatore lampeggi rapidamente in blu e rosso. Se la spia non lampeggia: Tenere premuto il pulsante di ripristino nella parte inferiore della fotocamera per più di 10 secondi finché la spia non inizia a lampeggiare in blu e rosso.
7. Confermare la rete WiFi e la password.

Nota: è supportato solo il Wi-Fi a 2,4 GHz.

8. L'app ti chiederà di scansionare un codice QR che verrà letto dalla fotocamera nella fotocamera intelligente per avviare l'associazione, premere continua sull'app e ora dovrebbe essere generato un codice QR per collegare il prodotto e collegare il tuo account. Posiziona il tuo cellulare o tablet davanti all'obiettivo della fotocamera e assicurati che il codice QR sia completamente visibile. Una volta che senti il suono richiesto, confermalo nell'app, questo avvierà la fase finale del collegamento della smart camera al tuo account.
9. L'app cercherà ora il dispositivo e registrerà il tuo account.
10. Immettere il nome del dispositivo.

Nota: il nome del dispositivo viene utilizzato anche da Amazon Alexa e Google Home.

### Introdução

A WOOX Smart Outdoor Camera é uma câmera de segurança Full HD 2K 3MP com recursos como áudio bidirecional, detecção de movimento, sirene, visão noturna colorida, armazenamento local e em nuvem, IP65 à prova d'água, funciona com Echo Show e Google Nest Hub e muito mais.

### Requisito para usar:

1. Aplicativo WOOX Home
2. Roteador compatível com WLAN: 2,4 GHz (banda separada)

### Configure a Smart Outdoor Camera no aplicativo WOOX Home

1. Baixe e instale o aplicativo "WOOX Home" da Apple App Store ou Google Play Store em seu smartphone.
  2. Inicie o aplicativo "WOOX Home".
  3. Crie uma nova conta ou faça login na sua conta existente.
  4. Toque em "+" para adicionar o dispositivo.
  5. Selecione o tipo de produto apropriado "Smart Camera" na lista de produtos.
  6. Certifique-se de que a luz indicadora pisque rapidamente em azul e vermelho. Se a luz indicadora não estiver piscando: Pressione e segure o botão de reinicialização na parte inferior da câmera por mais de 10 segundos até que a luz indicadora comece a piscar em azul e vermelho.
  7. Confirme a rede Wi-Fi e a senha.
- Nota: Apenas Wi-Fi de 2,4 GHz é suportado.
8. O aplicativo solicitará que você digitalize um código QR para ser lido pela câmera na câmera inteligente para iniciar o emparelhamento, pressione continuar no aplicativo e um código QR agora deve ser gerado para conectar o produto à sua conta. Coloque seu celular ou tablet na frente da lente da câmera e certifique-se de que o código QR esteja completamente visível. Depois de ouvir o aviso sonoro, confirme-o no aplicativo, isso iniciará o estágio final de vincular a câmera inteligente à sua conta.
  9. O aplicativo agora procurará o dispositivo e registrará sua conta.
  10. Digite o nome do dispositivo.
- Observação: o nome do dispositivo também é usado pelo Amazon Alexa e pelo Google Home.

### Introduktion

WOOX Smart Outdoor Camera er et Full HD 2K 3MP sikkerhedskamera med funktioner såsom to-vejs lyd, bevægelsesdetektion, sirene, farve nattesyn, lokal og cloud storage, IP65 vandtæt, fungerer med Echo Show og Google Nest Hub og mere.

### Krav til brug:

1. WOOX Home App
2. WLAN-kompatibel router: 2,4 GHz (separat bånd)

### Konfigurer Smart Outdoor Camera på WOOX Home-appen

1. Download og installer "WOOX Home"-appen fra Apple App Store eller Google Play Store på din smartphone.
2. Start "WOOX Home"-appen.
3. Opret en ny konto, eller log ind på din eksisterende konto.
4. Tryk på "+" for at tilføje enheden.
5. Vælg den relevante produkttype "Smart Camera" fra listen over produkter.
6. Sørg for, at indikatorlyset blinker blå og rødt hurtigt. Hvis indikatorlyset ikke blinker: Tryk og hold nulstillingsknappen i bunden af kameraet nede i mere end 10 sekunder, indtil indikatorlyset begynder at blinke blå og rødt.
7. Bekræft WiFi-netværket og adgangskoden.  
Bemærk: Kun 2,4 GHz Wi-Fi understøttes.
8. Appen vil bede dig om at scanne en QR-kode, der skal læses af kameraet i smartkameraet for at starte parringen, tryk på fortsæt på appen, og der skulle nu genereres en QR-kode for at forbinde produktlinket til din konto. Placer din mobil eller tablet foran kameranlinsen og sørg for, at QR-koden er helt synlig. Når du hører lydprompten, skal du bekræfte det i appen. Dette vil begynde det sidste trin med at forbinde smartkameraet til din konto.
9. Appen vil nu søge efter enheden og registrere dig for din konto.
10. Indtast enhedsnavnet.

Bemærk: Enhedsnavnet bruges også af Amazon Alexa og Google Home.

## **Introduktion**

WOOX Smart Outdoor Camera är en Full HD 2K 3MP säkerhetskamera med funktioner som tvåvägs ljud, rörelsedetektering, siren, mörkerseende i färg, lokal och molnlagring, IP65 vattentät, fungerar med Echo Show och Google Nest Hub med mera.

### **Krav för att använda:**

1. WOOX Home App
2. WLAN-kompatibel router: 2,4 GHz (separat band)

### **Konfigurera Smart Outdoor Camera på WOOX Home-appen**

1. Ladda ner och installera "WOOX Home"-appen från Apple App Store eller Google Play Store på din smartphone.
2. Starta appen "WOOX Home".
3. Skapa ett nytt konto eller logga in på ditt befintliga konto.
4. Tryck på "+" för att lägga till enheten.
5. Välj lämplig produkttyp "Smart Camera" från listan över produkter.
6. Se till att indikatorlampan blinkar blått och rött snabbt. Om indikatorlampan inte blinkar: Tryck och håll in återställningsknappen på kamerans undersida i mer än 10 sekunder tills indikatorlampan börjar blinka blått och rött.
7. Bekräfta WiFi-nätverket och lösenordet.

Obs: Endast 2,4 GHz Wi-Fi stöds.

8. Appen kommer att be dig skanna en QR-kod som ska läsas av kameran i den smarta kameran för att starta ihoppärningen, tryck fortsatt på appen och en QR-kod ska nu genereras för att koppla produktlänken till ditt konto. Placera din mobil eller surfplatta framför kameran och se till att QR-koden är helt synlig. När du hör ljuduppmärksningen, bekräfta den i appen, detta börjar det sista steget med att länka den smarta kameran till ditt konto.

9. Appen kommer nu att söka efter enheten och registrera dig för ditt konto.
10. Ange enhetens namn.

Obs: Enhetsnamnet används också av Amazon Alexa och Google Home.

## Esittely

WOOX:n älykäs ulkokamera on Full HD 2K 3MP kamera, jonka ominaisuuksia ovat mm. kaksisuuntainen ääni, liiketunnistus, yönäkö, paikallinen ja pilvitalennus ja IP65-vesitiiviys. Kamera toimii Echo Show- ja Google Nest Hub -sovellusten kanssa.

## Käyttöä varten tarvitaan

1. Woon home-sovellus
2. WLAN-reititin: 2.4 GHz

## Lisää kamera Woon home -sovellukseen

1. Lataa ja asenna WOOX Home -sovellus älypuhelimellesi Apple App Storesta tai Google Play Kaupasta.
2. Käynnistä WOOX Home -sovellus.
3. Luo uusi tili tai kirjaudu sisään nykyiselle tilillesi.
4. Napauta "+" lisätäksesi laitteen.
5. Valitse sopiva tuotetyyppi tuoteluettelosta.
6. Varmista, että kameran merkkivalo vilkkuu nopeasti (2 kertaa sekunnissa). Jos merkkivalo ei vilku, pidä nollauspainiketta painettuna niin kauan, että merkkivalo alkaa vilkkua.
7. Vahvista Wi-Fi-verkko ja salasana. Huomaa: vain 2.4 GHz:n Wi-Fi-yhteyttä tuetaan.
8. Sovellus pyytää skannaamaan QR-koodin, joka luetaan kameralla. Paina "Jatka" ja lue QR-koodi: Aseta matkapuhelin tai tabletti kameran linssin eteen ja varmista, että QR-koodi on koko näkymässä. Kun kuulet vahvistusäänen, alkaa viimeinen vaihe kameran ja tilin yhdistämisessä.
9. Sovellus etsii nyt laitetta ja rekisteröi sen tilillesi.
10. Kirjoita laitteen nimi. Huomaa: Laitteen nimeä käyttävät myös Amazon Alexa ja Google Home.



### **Wstęp**

Inteligentna kamera zewnętrzna WOOX to kamera bezpieczeństwa Full HD 2K 3MP z funkcjami takimi jak dwukierunkowy dźwięk, wykrywanie ruchu, syrena, kolorowe noktowizory, przechowywanie lokalne i w chmurze, wodoodporność IP65, współpracuje z Echo Show i Google Nest Hub i nie tylko.

### **Wymóg użycia:**

1. Aplikacja WOOX Home
2. Router kompatybilny z WLAN: 2,4 GHz (oddzielne pasmo)

### **Skonfiguruj inteligentną kamerę zewnętrzną w aplikacji WOOX Home**

1. Pobierz i zainstaluj aplikację „WOOX Home” z Apple App Store lub Google Play Store na swoim smartfonie.
2. Uruchom aplikację "WOOX Home".
3. Utwórz nowe konto lub zaloguj się do istniejącego konta.
4. Dotknij „+”, aby dodać urządzenie.
5. Wybierz odpowiedni typ produktu „Inteligentna kamera” z listy produktów.
6. Upewnij się, że kontrolka szybko miga na niebiesko i czerwono. Jeśli kontrolka nie miga: Naciśnij i przytrzymaj przycisk resetowania na spodzie aparatu przez ponad 10 sekund, aż kontrolka zacznie migać na niebiesko i czerwono.
7. Potwierdź sieć WiFi i hasło.

Uwaga: obsługiwane jest tylko Wi-Fi 2,4 GHz.

8. Aplikacja poprosi o zeskanowanie kodu QR, który zostanie odczytany przez kamerę w inteligentnej kamerze, aby rozpocząć parowanie, naciśnij kontynuuj w aplikacji, a kod QR powinien zostać teraz wygenerowany, aby połączyć produkt z Twoim kontem. Umieść telefon komórkowy lub tablet przed obiektywem aparatu i upewnij się, że kod QR jest całkowicie widoczny. Gdy usłyszysz monit dźwiękowy, potwierdź go w aplikacji, rozpocznie się ostatni etap łączenia inteligentnej kamery z Twoim kontem.
9. Aplikacja wyszuka teraz urządzenie i zarejestruje Twoje konto.
10. Wprowadź nazwę urządzenia.

Uwaga: nazwa urządzenia jest również używana przez Amazon Alexa i Google Home.

## Úvod

WOOX Smart Outdoor Camera je Full HD 2K 3MP bezpečnostní kamera s funkcemi, jako je obousměrný zvuk, detekce pohybu, siréna, barevné noční vidění, místní a cloudové úložiště, IP65 vodotěsná, spolupracuje s Echo Show a Google Nest Hub a dalšími.

## Požadavek na použití:

1. Aplikace WOOX Home
2. Směrovač kompatibilní s WLAN: 2,4 GHz (samostatné pásmo)

## Nastavte chytrou venkovní kameru v aplikaci WOOX Home

1. Stáhněte si a nainstalujte si do smartphonu aplikaci „WOOX Home“ z Apple App Store nebo Google Play Store.
  2. Spusťte aplikaci „WOOX Home“.
  3. Vytvořte si nový účet nebo se přihlaste ke svému stávajícímu účtu.
  4. Klepnutím na „+“ přidejte zařízení.
  5. Ze seznamu produktů vyberte příslušný typ produktu „Smart Camera“.
  6. Ujistěte se, že kontrolka rychle bliká modře a červeně. Pokud kontrolka neblíká: Stiskněte a podržte resetovací tlačítko na spodní straně fotoaparátu déle než 10 sekund, dokud kontrolka nezačne modře a červeně blikat.
  7. Potvrďte WiFi síť a heslo.
  8. Poznámka: Podporováno je pouze 2,4 GHz Wi-Fi.
  9. Aplikace vás požádá o naskenování QR kódu, který bude načten kamerou v chytrém fotoaparátu, aby se zahájilo párování, stiskněte v aplikaci pokračovat a nyní by se měl vygenerovat QR kód pro připojení produktového odkazu k vašemu účtu. Umístěte svůj mobil nebo tablet před objektiv fotoaparátu a ujistěte se, že je QR kód zcela viditelný. Jakmile uslyšíte zvukovou výzvu, potvrďte ji v aplikaci, čímž se zahájí poslední fáze propojení chytré kamery s vaším účtem.
  10. Aplikace nyní vyhledá zařízení a zaregistruje se k vašemu účtu. Zadejte název zařízení.
- Poznámka: Název zařízení používá také Amazon Alexa a Google Home.

### Úvod

WOOX Smart Outdoor Camera je Full HD 2K 3MP bezpečnostná kamera s funkciami ako obojsmerný zvuk, detekcia pohybu, siréna, farebné nočné videnie, lokálne a cloudové úložisko, IP65 vodotesnosť, spolupracuje s Echo Show a Google Nest Hub a ďalšími.

### Požiadavka na použitie:

1. Aplikácia WOOX Home
2. WLAN kompatibilný smerovač: 2,4 GHz (samostatné pásmo)

### Nastavte inteligentnú vonkajšiu kameru v aplikácii WOOX Home

1. Stiahnite si a nainštalujte si do smartfónu aplikáciu „WOOX Home“ z Apple App Store alebo Google Play Store.
2. Spustíte aplikáciu „WOOX Home“.
3. Vytvorte si nový účet alebo sa prihláste do svojho existujúceho účtu.
4. Klepnutím na „+“ pridáte zariadenie.
5. Zo zoznamu produktov vyberte príslušný typ produktu „Smart Camera“.
6. Uistite sa, že kontrolka rýchlo bliká modro a červeno. Ak indikátor neblinká: Stlačte a podržte resetovacie tlačidlo na spodnej strane fotoaparátu na viac ako 10 sekúnd, kým indikátor nezačne blikáť modro a červeno.
7. Potvrďte WiFi sieť a heslo.
8. Poznámka: Podporuje sa iba 2,4 GHz Wi-Fi.
9. Aplikácia vás požiada o naskenovanie QR kódu, ktorý má byť prečítaný kamerou v inteligentnom fotoaparáte, aby sa spustilo párovanie, stlačte pokračovať v aplikácii a teraz by sa mal vygenerovať QR kód na prepojenie produktu s vaším účtom. Umiestnite svoj mobil alebo tablet pred objektív fotoaparátu a uistite sa, že je QR kód úplne viditeľný. Keď budete počuť zvukovú výzvu, potvrďte ju v aplikácii, čím sa začne posledná fáza prepojenia inteligentnej kamery s vaším účtom.
10. Aplikácia teraz vyhľadá zariadenie a zaregistruje sa pre váš účet.

Zadajte názov zariadenia.  
Poznámka: Názov zariadenia používajú aj Amazon Alexa a Google Home.

## **Bevezetés**

A WOOX Smart Outdoor Camera egy Full HD 2K 3MP biztonsági kamera olyan funkciókkal, mint a kétirányú hang, mozgásérzékelés, sziréna, színes éjszakai látás, helyi és felhőalapú tárhely, IP65 vízálló, együttműködik az Echo Show-val és a Google Nest Hubbal, stb.

## **Felhasználási követelmény:**

1. WOOX Home App
2. WLAN-kompatibilis útválasztó: 2,4 GHz (külön sáv)

## **Állítsa be a Smart Outdoor kamerát a WOOX Home alkalmazásban**

1. Töltse le és telepítse okostelefonjára a "WOOX Home" alkalmazást az Apple App Store vagy a Google Play Store áruházból.
2. Indítsa el a „WOOX Home” alkalmazást.
3. Hozzon létre egy új fiókot, vagy jelentkezzen be meglévő fiókjába.
4. Érintse meg a „+” gombot az eszköz hozzáadásához.
5. Válassza ki a megfelelő terméktípust "Smart Camera" a terméklistából.
6. Győződjön meg arról, hogy a jelzőfény gyorsan villog kéken és pirosan. Ha a jelzőfény nem villog: Nyomja meg és tartsa lenyomva a fényképezőgép alján található reset gombot több mint 10 másodpercig, amíg a jelzőfény kéken és pirosan villogni nem kezd.
7. Erősítse meg a WiFi hálózatot és a jelszót.

Megjegyzés: Csak 2,4 GHz-es Wi-Fi támogatott.

8. Az alkalmazás megkéri, hogy olvassa be a QR-kódot, amelyet az intelligens kamerában lévő kamera beolvas a párosítás megkezdéséhez, majd nyomja meg a Folytatás gombot az alkalmazáson, és most létre kell hoznia egy QR-kódot a termék összekapcsolásához a fiókjával. Helyezze mobiltelefonját vagy táblagépét a kamera lencséje elé, és ellenőrizze, hogy a QR-kód teljesen látható-e. Ha meghallja a hangjelzést, erősítse meg az alkalmazásban, ezzel megkezdődik az intelligens kamera fiókjához való kapcsolásának utolsó szakasza.

9. Az alkalmazás most megkeresi az eszközt, és regisztrálja a fiókját.

10. Írja be az eszköz nevét.

Megjegyzés: Az eszköznevet az Amazon Alexa és a Google Home is használja.

### Introducere

WOOX Smart Outdoor Camera este o cameră de securitate Full HD 2K 3MP cu caracteristici precum audio bidirecțional, detectarea mișcării, sirenă, vedere pe timp de noapte color, stocare locală și în cloud, impermeabilă IP65, funcționează cu Echo Show și Google Nest Hub și multe altele.

### Cerință de utilizare:

1. Aplicația WOOX Home
2. Router compatibil WLAN: 2,4 GHz (bandă separată)

### Configurați Camera Smart Outdoor în aplicația WOOX Home

1. Descărcați și instalați aplicația „WOOX Home” din Apple App Store sau Google Play Store pe smartphone-ul dvs.
2. Lansați aplicația „WOOX Home”.
3. Creați un cont nou sau conectați-vă la contul dvs. existent.
4. Atingeți „+” pentru a adăuga dispozitivul.
5. Selectați tipul de produs corespunzător „Camera inteligentă” din lista de produse.
6. Asigurați-vă că indicatorul luminos clipește rapid în albastru și roșu. Dacă indicatorul luminos nu clipește: țineți apăsat butonul de resetare din partea de jos a camerei mai mult de 10 secunde până când indicatorul luminos începe să clipească în albastru și roșu.
7. Confirmați rețeaua WiFi și parola.

Notă: este acceptat numai Wi-Fi de 2,4 GHz.

8. Aplicația vă va cere să scanați un cod QR pentru a fi citit de cameră în camera inteligentă pentru a începe împerecherea, apăsați Continuați pe aplicație și acum ar trebui să fie generat un cod QR pentru a conecta produsul la contul dvs. Puneți mobilul sau tableta în fața obiectivului camerei și asigurați-vă că codul QR este complet vizibil. După ce auziți promptul sonor, confirmați-l în aplicație, aceasta va începe etapa finală de conectare a camerei inteligente la contul dvs.
9. Aplicația va căuta acum dispozitivul și va înregistra pentru contul dvs.
10. Introduceți numele dispozitivului.

Notă: Numele dispozitivului este folosit și de Amazon Alexa și Google Home.

### Увод

WOOX pametna spoljna kamera je Full HD 2K 3MP sigurnosna kamera sa funkcijama kao što su dvosmerni zvuk, detekcija pokreta, sirena, noćni vid u boji, lokalno skladištenje i skladištenje u oblaku, водоотпорна IP65, radi sa Echo Show-om i Google Nest Hub-om i još mnogo toga.

### Захтев за коришћење:

1. WOOX Home Апп
2. ВЛАН компатибилан рутер: 2,4 GHz (одвојени опсер)

### Подесите Смарт Оутдоор Цамера на WOOX Home апликацији

1. Преузмите и инсталирајте апликацију „WOOX Home“ из Аппле Апп Сторе-а или Гоогле Плаи продавнице на свом pametном телефону.
2. Покрените апликацију „WOOX Home“.
3. Креирајте нови налог или се пријавите на свој постојећи налог.
4. Додирните „+“ да бисте додали уређај.
5. Изаберите одговарајући тип производа „Смарт Цамера“ са листе производа.
6. Уверите се да индикаторска лампица брзо трепери плаво и црвено. Ако индикаторска лампица не трепери: Притисните и држите дугме за ресетовање на дну камере дуже од 10 секунди док индикаторска лампица не почне да трепери плаво и црвено.
7. Потврдите ВиФи мрежу и лозинку.  
Напомена: Подржан је само Ви-Фи од 2,4 GHz.
8. Апликација ће од вас тражити да скенирате QR код који ће га камера у pametној камери прочитати да бисте започели упаривање, притисните Настави на апликацији и сада би требало да се генерише QR код за повезивање производа са вашим налогом. Поставите мобилни или таблет испред сочива камере и уверите се да је QR код у потпуности видљив. Када чујете звучни упит, потврдите га у апликацији, ово ће започети последњу фазу повезивања pametне камере са вашим налогом.
9. Апликација ће сада тражити уређај и регистровати се за ваш налог.
10. Унесите назив уређаја.  
Напомена: Назив уређаја користе и Amazon Alexa и Google Home.

### Uvod

Pametna zunanja kamera WOOX je varnostna kamera Full HD 2K 3MP s funkcijami, kot so dvosmerni zvok, zaznavanje gibanja, sirena, barvni nočni vid, lokalno shranjevanje in shranjevanje v oblaku, IP65 vodoodporna, deluje z Echo Show in Google Nest Hub ter več.

### Zahteva za uporabo:

1. Aplikacija WOOX Home
2. Usmerjevalnik, združljiv z WLAN: 2,4 GHz (ločen pas)

### Nastavite pametno zunanjo kamero v aplikaciji WOOX Home

1. Prenesite in namestite aplikacijo "WOOX Home" iz Apple App Store ali Google Play Store na vaš pametni telefon.
2. Zaženite aplikacijo "WOOX Home".
3. Ustvarite nov račun ali se prijavite v obstoječi račun.
4. Tapnite "+", da dodate napravo.
5. Na seznamu izdelkov izberite ustrezno vrsto izdelka "Pametna kamera".
6. Preverite, ali indikatorna lučka hitro utripa modro in rdeče. Če indikatorna lučka ne utripa: Pritisnite in držite gumb za ponastavitev na dnu fotoaparata več kot 10 sekund, dokler indikatorna lučka ne začne utripati modro in rdeče.
7. Potrdite omrežje WiFi in geslo.

Opomba: Podprt je samo 2,4 GHz Wi-Fi.

8. Aplikacija vas bo pozvala, da optično preberete kodo QR, ki jo bo prebrala kamera v pametni kameri, da začnete seznanjanje, pritisnite Nadaljuj v aplikaciji in zdaj bi morala biti ustvarjena koda QR za povezavo izdelka in vašega računa. Postavite mobilni telefon ali tablico pred objektiv kamere in se prepričajte, da je koda QR v celoti vidna. Ko zaslišite zvočni poziv, ga potrdite v aplikaciji, s tem se bo začela zadnja faza povezovanja pametne kamere z vašim računom.

9. Aplikacija bo zdaj poiskala napravo in se registrirala za vaš račun.

10. Vnesite ime naprave.

Opomba: Ime naprave uporabljata tudi Amazon Alexa in Google Home.

## ļevads

WOOX Smart Outdoor Camera ir Full HD 2K 3MP drošības kamera ar tādām funkcijām kā divvirzienu audio, kustības noteikšana, sirēna, krāsu nakts redzamība, lokālā un mākoņa krātuve, IP65 ūdensizturīgs, darbojas ar Echo Show un Google Nest Hub un citām funkcijām.

## Prasība lietošanai:

1. WOOX Home App
2. WLAN saderīgs maršrutētājs: 2,4 GHz (atsevišķa josla)

## ļestatiet viedo āra kameru lietotnē WOOX Home

1. Leļupielādēļiet un savā viedtālrunī instalēļiet lietotni "WOOX Home" no Apple App Store vai Google Play veikala.
2. Palaidiet lietotni WOOX Home.
3. Izveidoļiet jaunu kontu vai piesakieties esošajā kontā.
4. Pieskarieties "+", lai pievienotu ierīci.
5. Preču sarakstā atlasiet atbilstošo produkta veidu "Viedā kamera".
6. Pārļiecinieties, vai indikators ātri mirgo zilā un sarkanā krāsā. Ja indikators nemirgo: nospiediet un turiet atiestatīšanas pogu kameras apakšā ilgāk par 10 sekundēm, līdz indikators sāk mirgot zilā un sarkanā krāsā.
7. Apstipriniet WiFi tīklu un paroli.

Piezīme: tiek atbalstīts tikai 2,4 GHz Wi-Fi.

8. Lietotne lūgs jums skenēt QR kodu, kas jānolasa viedkameras kameras, lai sāktu savienošanu pārī, lietotnē nospiediet Turpināt, un tagad ir jāģenerē QR kods, lai savienotu produkta saiti ar jūsu kontu. Novietojiet savu mobilo tālruni vai planšetdatoru kameras objektīva priekšā un pārļiecinieties, vai QR kods ir pilnībā redzams. Kad dzirdat skaņas uzvedni, apstipriniet to lietotnē. Tas sāks pēdējo posmu viedkameras saistīšanai ar jūsu kontu.
9. Tagad lietotne meklēs ierīci un reģistrēsies jūsu kontam.
10. ļevadiet ierīces nosaukumu.

Piezīme. Ierīces nosaukumu izmanto arī Amazon Alexa un Google Home.



## **Ivadas**

WOOX Smart Outdoor Camera yra Full HD 2K 3MP apsaugos kamera su tokiomis funkcijomis kaip dvipusis garsas, judesio aptikimas, sirena, spalvotas naktinis matymas, vietinė ir debesų saugykla, IP65 atsparus vandeniui, veikia su Echo Show ir Google Nest Hub ir kt.

## **Reikalavimas naudoti:**

1. WOOX Home App
2. Su WLAN suderinamas maršrutizatorius: 2,4 GHz (atskira juosta)

## **Nustatykite išmaniąją lauko kamerą WOOX Home programoje**

1. Atsisiųskite ir į savo išmanųjį telefoną įdiekite programėlę „WOOX Home“ iš Apple App Store arba Google Play Store.
2. Paleiskite programą „WOOX Home“.
3. Sukurkite naują paskyrą arba prisijunkite prie esamos paskyros.
4. Norėdami pridėti įrenginį, bakstelėkite „+“.
5. Iš produktų sąrašo pasirinkite tinkamą gaminio tipą „Išmanioji kamera“.
6. Įsitikinkite, kad indikatorius lemputė greitai mirksi mėlynai ir raudonai. Jei indikatorius lemputė nemirksi: paspauskite ir palaikykite fotoaparato apačioje esantį atstatymo mygtuką ilgiau nei 10 sekundžių, kol indikatorius lemputė pradės mirksėti mėlynai ir raudonai.
7. Patvirtinkite WiFi tinklą ir slaptažodį.  
Pastaba: palaikomas tik 2,4 GHz Wi-Fi.
8. Programa paprašys jūsų nuskaityti QR kodą, kurį nuskaitys išmaniojo fotoaparato kamera, kad pradėtumėte susieti, paspauskite programoje tęsti ir dabar turėtų būti sugeneruotas QR kodas, kad būtų galima susieti produktą su paskyra. Padėkite savo mobilųjį telefoną ar planšetinį kompiuterį prieš fotoaparato objektyvą ir įsitikinkite, kad QR kodas yra visiškai matomas. Kai išgirsite raginimą, patvirtinkite jį programėlėje. Tai pasidės paskutinis išmaniosios kameros susiejimo su paskyra etapas.
9. Dabar programa ieškos įrenginio ir užsiregistruos jūsų paskyrai.
10. Įveskite įrenginio pavadinimą.  
Pastaba: įrenginio pavadinimą taip pat naudoja „Amazon Alexa“ ir „Google Home“.

### Sissejuhatus

WOOX Smart Outdoor Camera on Full HD 2K 3MP turvakaamera, millel on sellised funktsioonid nagu kahesuunaline heli, liikumistuvastus, sireen, värviline öönägemine, kohalik ja pilvesalvestus, IP65 veekindel, töötab koos Echo Show ja Google Nest Hubiga ning palju muud.

### Kasutamise nõue:

1. WOOX Home App
2. WLAN-iga ühilduv ruuter: 2,4 GHz (eraldi sagedusala)

### Seadistage nutikas välikaamera rakenduses WOOX Home

1. Laadige alla ja installige oma nutitelefonil Apple App Store'ist või Google Play Store'ist rakendus "WOOX Home".
  2. Käivitage rakendus "WOOX Home".
  3. Looge uus konto või logige sisse oma olemasolevale kontole.
  4. Seadme lisamiseks puudutage "+".
  5. Valige toodete loendist sobiv tootetüüp "Nutikaamera".
  6. Veenduge, et märgutuli vilguks kiiresti siniselt ja punaselt. Kui märgutuli ei vilgu: vajutage ja hoidke kaamera allosas olevat lähtestamisnuppu all rohkem kui 10 sekundit, kuni märgutuli hakkab sinise ja punasena vilkuma.
  7. Kinnitage WiFi-võrk ja parool.
- Märkus. Toetatud on ainult 2,4 GHz Wi-Fi.
8. Rakendus palub teil sidumise alustamiseks skannida QR-koodi, mida nutikaamera kaamera loeb, vajutage rakenduses nuppu Jätka ja nüüd tuleks genereerida QR-kood, et ühendada toote link teie kontoga. Asetage oma mobiiltelefon või tahvelarvuti kaamera objektiivi ette ja veenduge, et QR-kood oleks täielikult nähtaval. Kui kuulete heliviipa, kinnitage see rakenduses. See alustab nutikaamera teie kontoga linkimise viimast etappi.
  9. Rakendus otsib nüüd seadet ja registreerib teie konto.
  10. Sisestage seadme nimi.
- Märkus. Seadme nime kasutavad ka Amazon Alexa ja Google Home.

### Uvod

WOOX Smart Outdoor Camera je Full HD 2K 3MP sigurnosna kamera sa značajkama kao što su dvosmjerni zvuk, detekcija pokreta, sirena, noćni vid u boji, lokalna pohrana i pohrana u oblaku, IP65 vodootporan, radi s Echo Showom i Google Nest Hubom i više.

### Zahtjevi za korištenje:

1. WOOX Home App
2. Usmjerivač kompatibilan s WLAN-om: 2,4 GHz (odvojeni pojas)

### Postavite pametnu vanjsku kameru na aplikaciji WOOX Home

1. Preuzmite i instalirajte aplikaciju "WOOX Home" iz Apple App Store ili Google Play Store na svoj pametni telefon.
  2. Pokrenite aplikaciju "WOOX Home".
  3. Napravite novi račun ili se prijavite na postojeći račun.
  4. Dodirnite "+" za dodavanje uređaja.
  5. Odaberite odgovarajuću vrstu proizvoda "Smart Camera" s popisa proizvoda.
  6. Uvjerite se da indikatorsko svjetlo brzo treperi plavo i crveno. Ako indikatorska lampica ne treperi: Pritisnite i držite tipku za resetiranje na dnu fotoaparata dulje od 10 sekundi dok indikatorska lampica ne počne treperiti plavo i crveno.
  7. Potvrdite WiFi mrežu i lozinku.
- Napomena: podržan je samo Wi-Fi od 2,4 GHz.
8. Aplikacija će od vas tražiti da skenirate QR kod koji će kamera u pametnoj kameri pročitati kako biste započeli uparivanje, pritisnite nastavak u aplikaciji i sada bi trebao biti generiran QR kod za povezivanje proizvoda i veze s vašim računom. Postavite mobitel ili tablet ispred objektiva kamere i provjerite je li QR kod potpuno vidljiv. Nakon što čujete zvučni upit, potvrdite ga u aplikaciji, ovo će započeti posljednju fazu povezivanja pametne kamere s vašim računom.
  9. Aplikacija će sada tražiti uređaj i registrirati se za vaš račun.
  10. Unesite naziv uređaja.

Napomena: naziv uređaja također koriste Amazon Alexa i Google Home.