

# Smart Carbon Monoxide Sensor User Manual

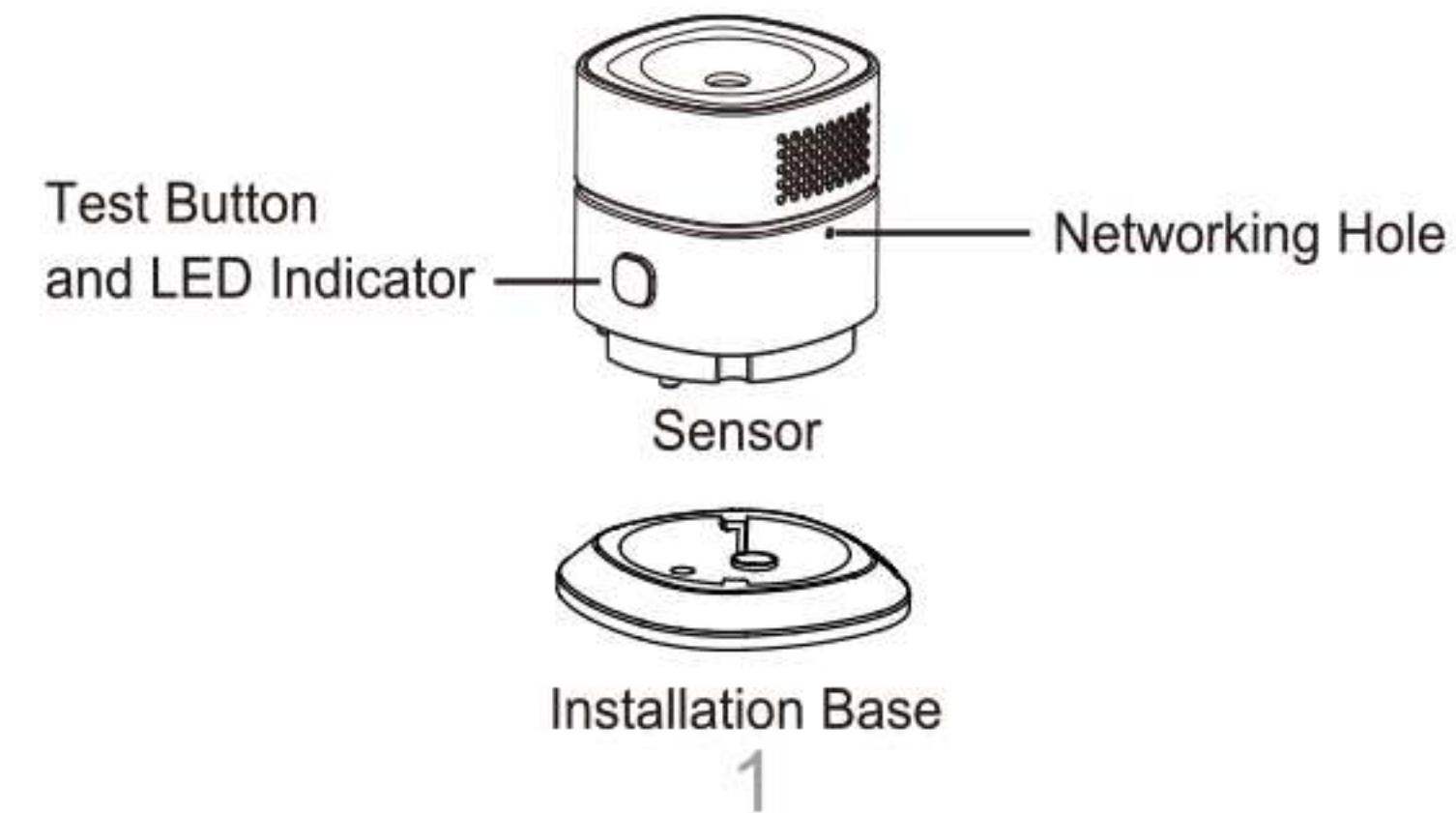
M417-10Ever1.4



\*Please read the user manual carefully before operation.  
The guide picture is for reference only. please in kind prevail

## 1 Product Introduction

This product is a smart carbon monoxide sensor,adopts super low power consumption Z-Wave wireless networking technology, used for detecting carbon monoxide. Sensor adopts high performance electrochemical sensor, support sound and flash alarm, It has high stability, super low power consumption, little sensitivity drift and many other features. Free installation design,support instant bonding.



## 2 Technical Data

- Working Voltage: DC3V (CR17335/CR123A Lithium Battery)
- Alarm Sound: ≥ 85dB/1m
- Alarm Sensitivity: 30ppm 120 mins alarm  
50ppm 60-90 mins alarm  
100ppm 10-40 mins alarm  
300ppm 3 mins alarm
- Networking: Z-Wave
- Wireless Networking Distance: ≤ 70m(open area)
- Working Temperature: -10°C ~ +50°C
- Working Humidity: ≤ 95%RH
- Dimension: 60 \* 60 \* 49.2 mm

## 3 Tips

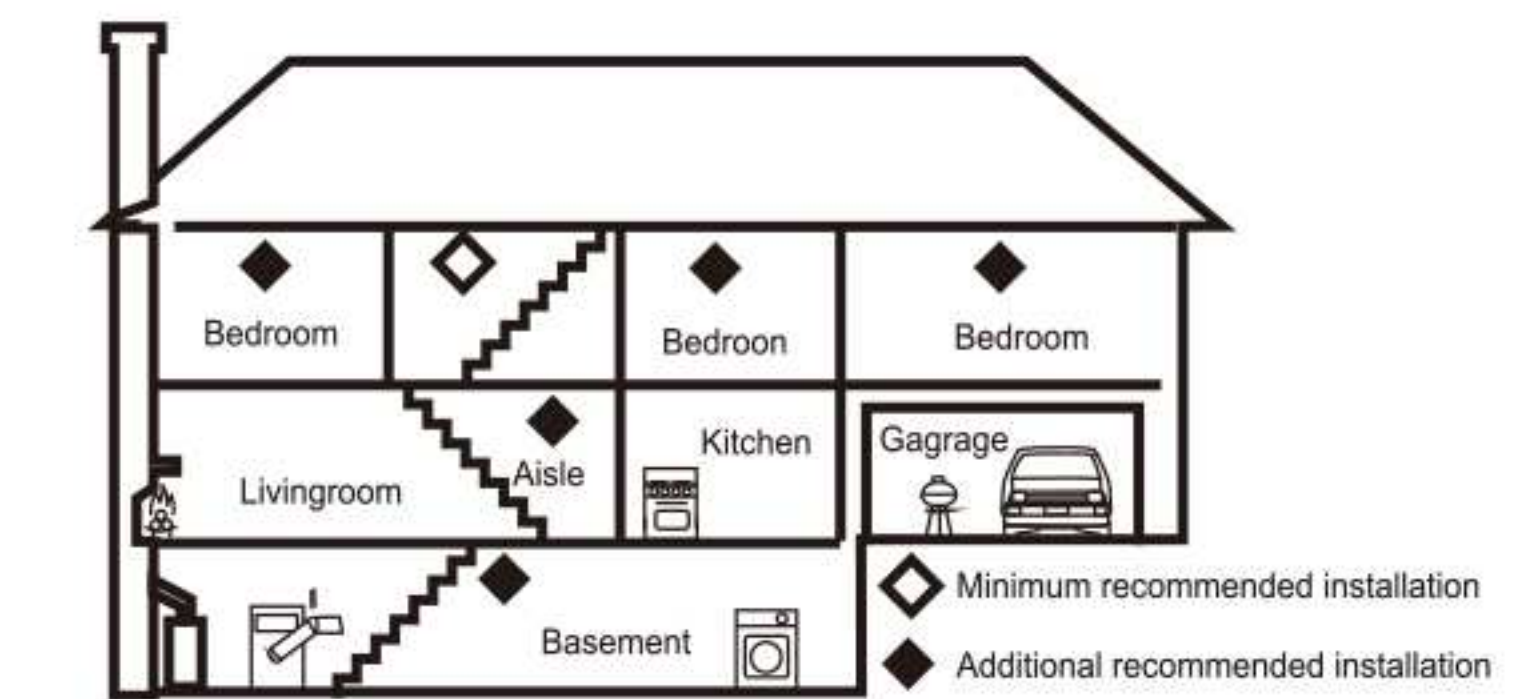
- This product can not be used for detecting natural gas (methane), propane, butane and other combustible gas.
- Clean once a month, users may use household vacuum cleaner and soft brush when cleaning.
- Do not use cleanser or solvent wipe sensors, please avoid spraying air freshener, hair spray, oil paint or other aerosol near sensors.
- Effective working life span is 5 years, suggest replace every 5 years no matter there is fault or not. (Battery life span is 3 years).
- Please be attention when alarm happens. Shut-off valves immediately, opening the window, make sure indoor airiness. Besides using sensors correctly, users should strengthen the consciousness of fire protection.

## 4 Installation Instruction

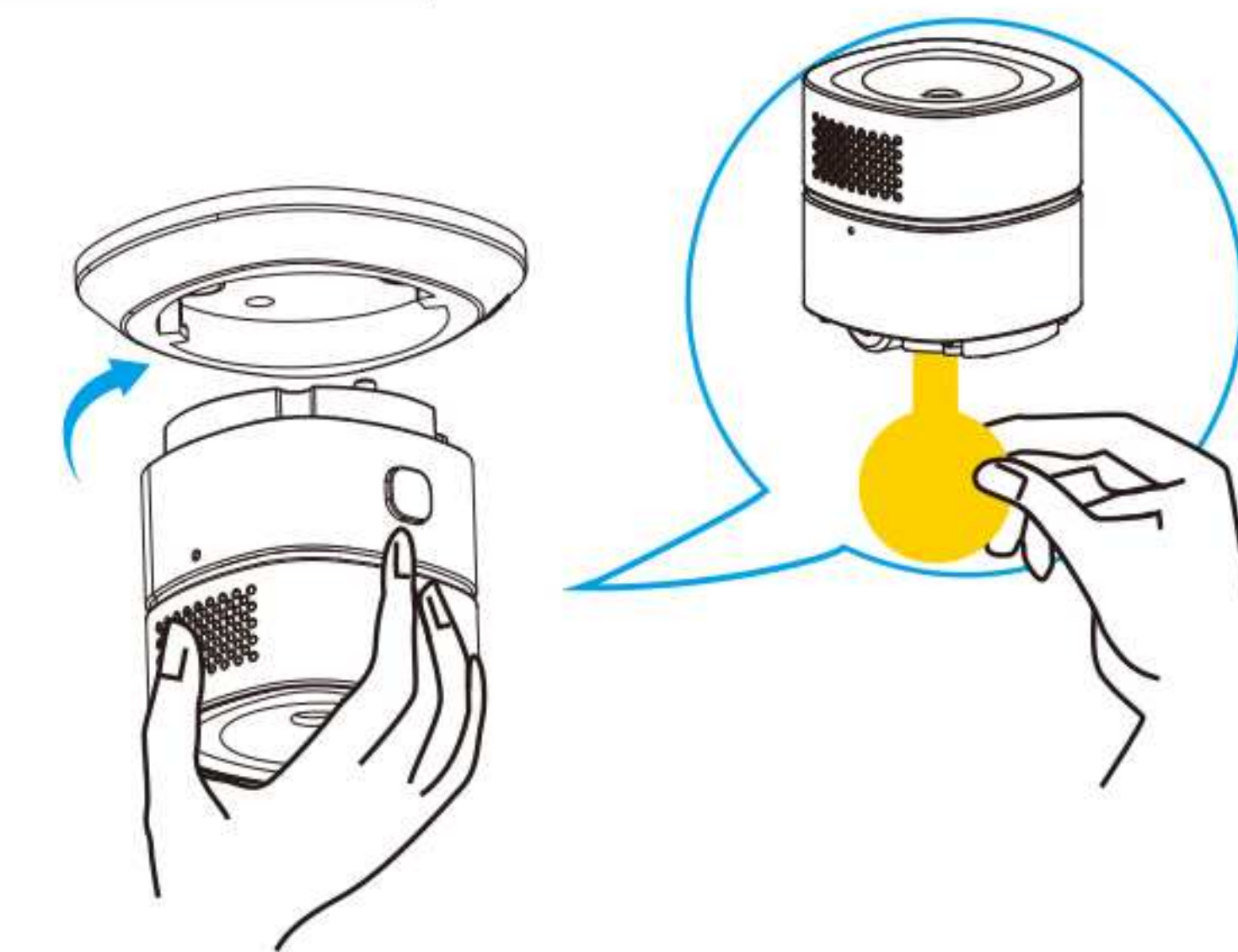
- Install the sensor in bedroom and living area or anywhere CO may leak, make sure each sleeping area can hear sound alarm when choose installation position.
- Avoid suppressing or falling down sensors, keep sensors away from humid, high voltage, strong magnetic and children.
- Do not suggest install sensors in garage, kitchen, boiler and places where sensor may false alarm. Do not install in dirty, dusty or greasy places, oily, dust or household chemicals may damage internal sensor, and make sensor can not work normally.
- Sensors can support wall mounted or placing on the table, household and travel essential.

## 5 Installation Drawing

- To increase safety factors in single-layerhouse, suggest to install at least a sensor in each bedroom and install a sensor at 6m from chimney and gas fixture.
- To increase safety factors in multi-layer house, suggest to install at least a sensor in each bedroom, install at least one sensor in basement. Please install a sensor at 6m from chimney and gas fixture.

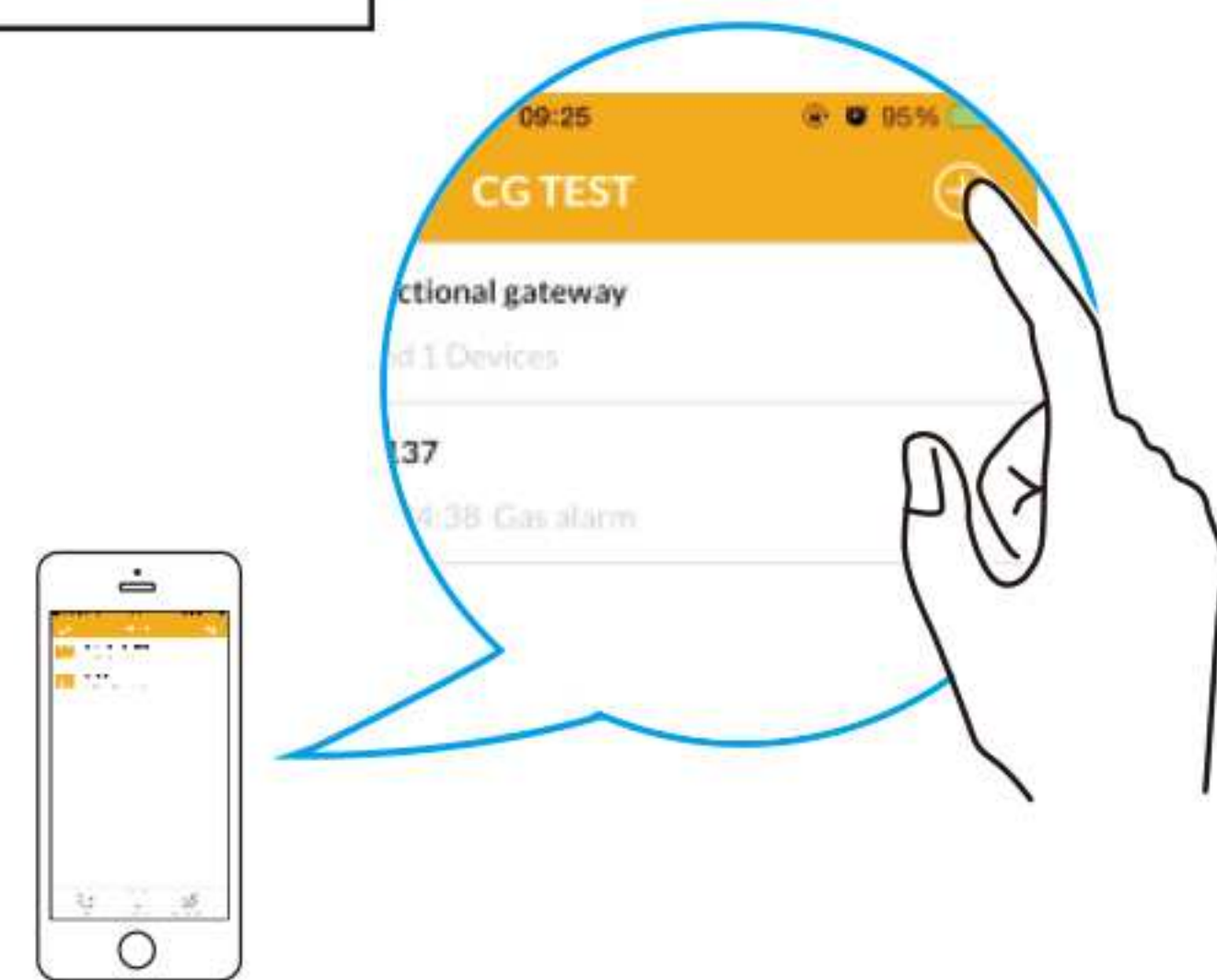


## Installation Step1



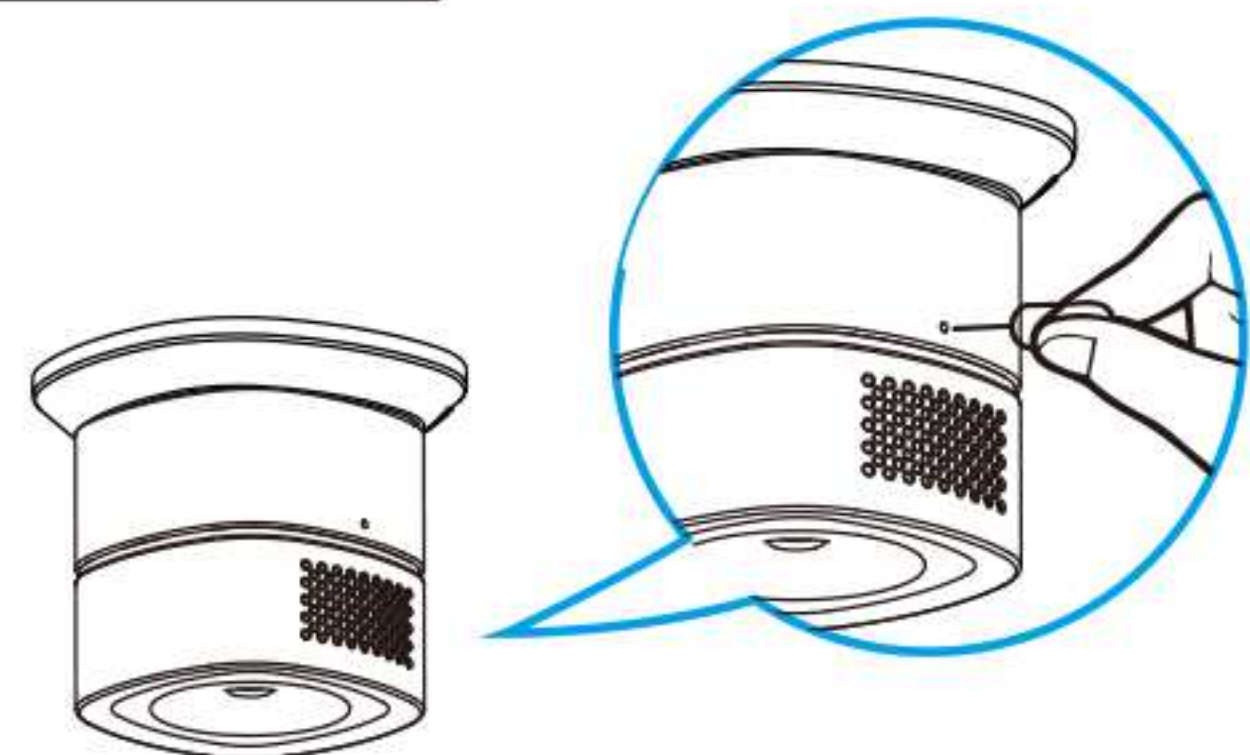
- Anticlockwise rotating the bracket out from the installation base, then remove the battery insulating strip to make detector on power.

## Installation Step2



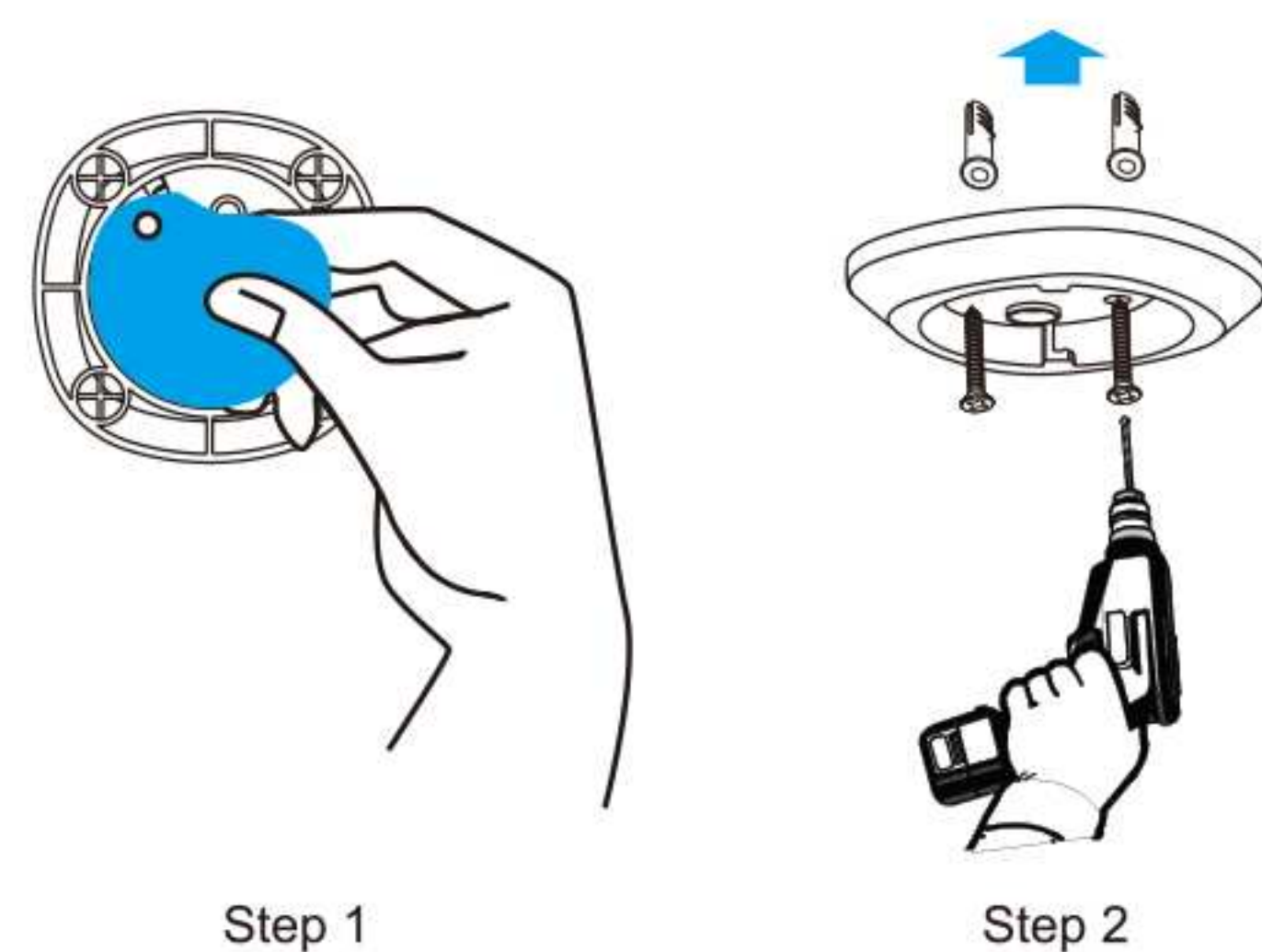
- Click "Add Device" on the APP interface, and enter the networking mode.

## Installation Step3



- Connecting network: According to the APP tip, press the device networking button for 3 times in 1.5 seconds, then the green LED flashes quickly (connecting network within 30 seconds), and networking succeed will be displayed on app in terface.
- Disconnecting network: Click the "delete device" button on APP, then quick press networking button for 3 times in 1.5 seconds, green LED flashes for 6 times, disconnecting network succeed.

## Installation Step4

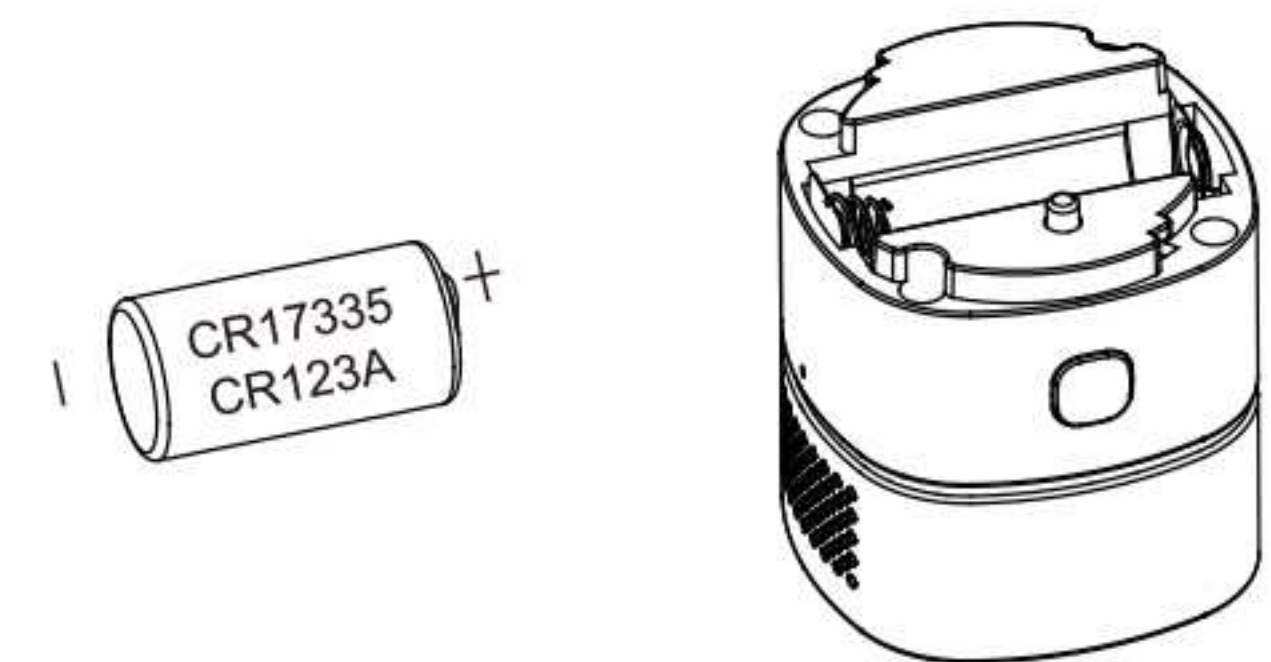


- Step 1: remove the double-sided adhesive and stick alarm into ceiling.
- Step 2: fied the bracket into ceiling using screws.

## 6 LED Status

Status	LED Indicator	Alarm
Warm-up	Power on the alarm,about 6 seconds later, the green/red/yellow LEDs will flash alternately.	Power on the alarm,after about 6 seconds,the buzzer will beep once shortly.
Normal	The green LED flashes every 30 seconds.	None
Testing	Red LED flashes four times	The alarm sounds four beeps
Alarm	Red LED flashes every 5 seconds.	Four beeps every 5 seconds.
Low Power	Yellow LED flashes every 30 seconds.	One beep every 30 seconds.
Fault	Yellow LED flashes twice every 30 seconds.	Two beeps every 30 seconds
End of unit life	Yellow LED flashes twice every 30 seconds.	One long beep and one short beep every 30 seconds.

## 7 Battery replacement

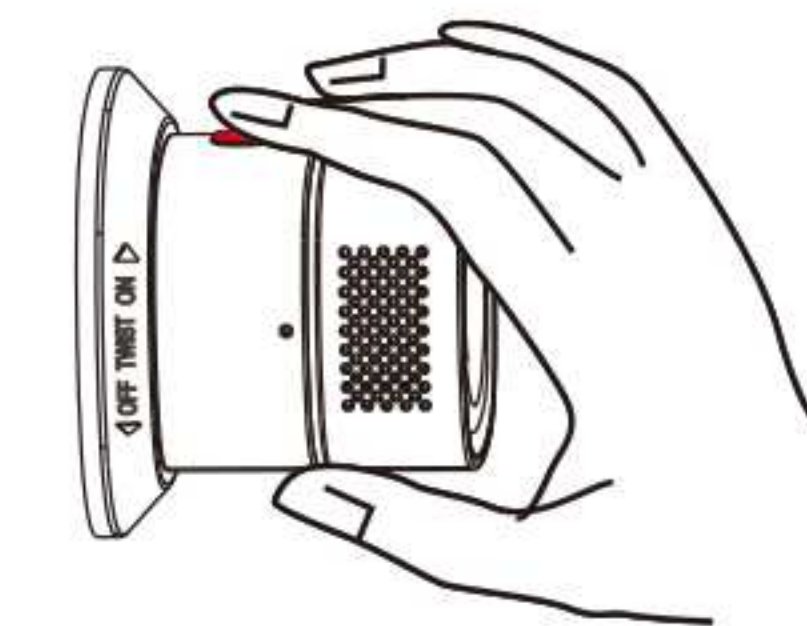


- Please replace battery correctly, following the battery positive and negative electrode.

## 8 Troubleshooting

- Please take following advices for reference if sensors can not work normally:
- Replace battery in time, if voltage too low and reach effective life span. (Check table 1 for state reference).
  - Please clean sensor if the fault resulted from dust or oil stain ( Check table 1 for state reference).
  - Make sure sensors screw into the base correctly.

## 9 Test



- Press test button on the product for 3 seconds,shows in above picture, till alarm happens ( check table 1 for state reference).
- Suggest test sensor at least once a week. Please pay attention once alarm happens.